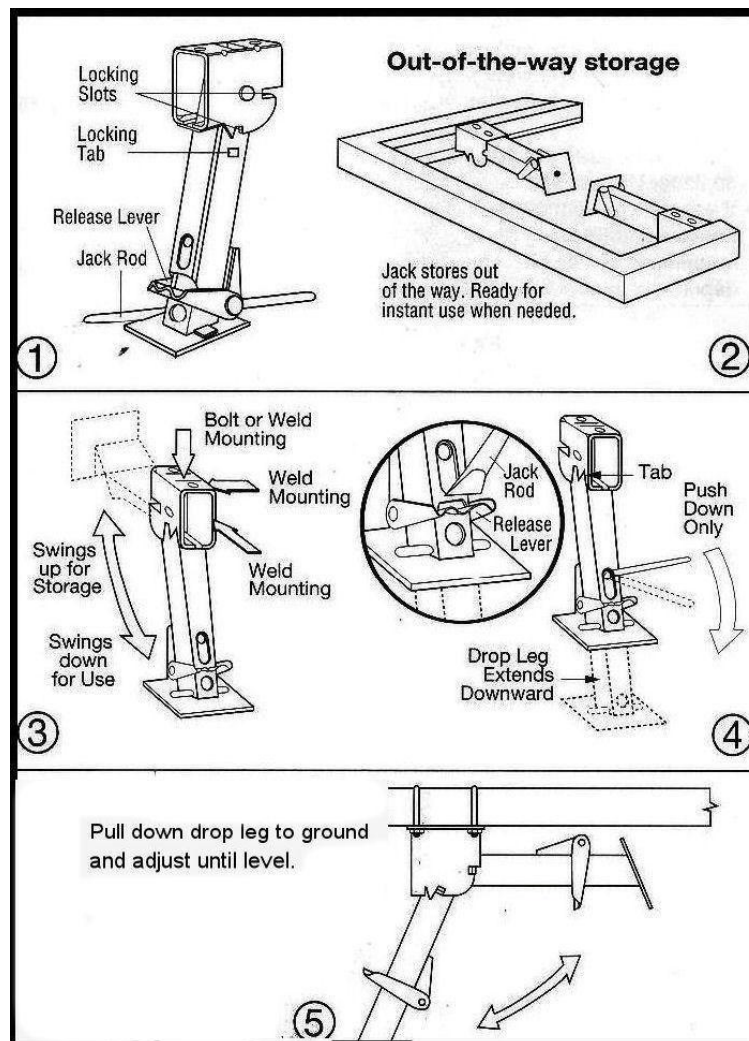




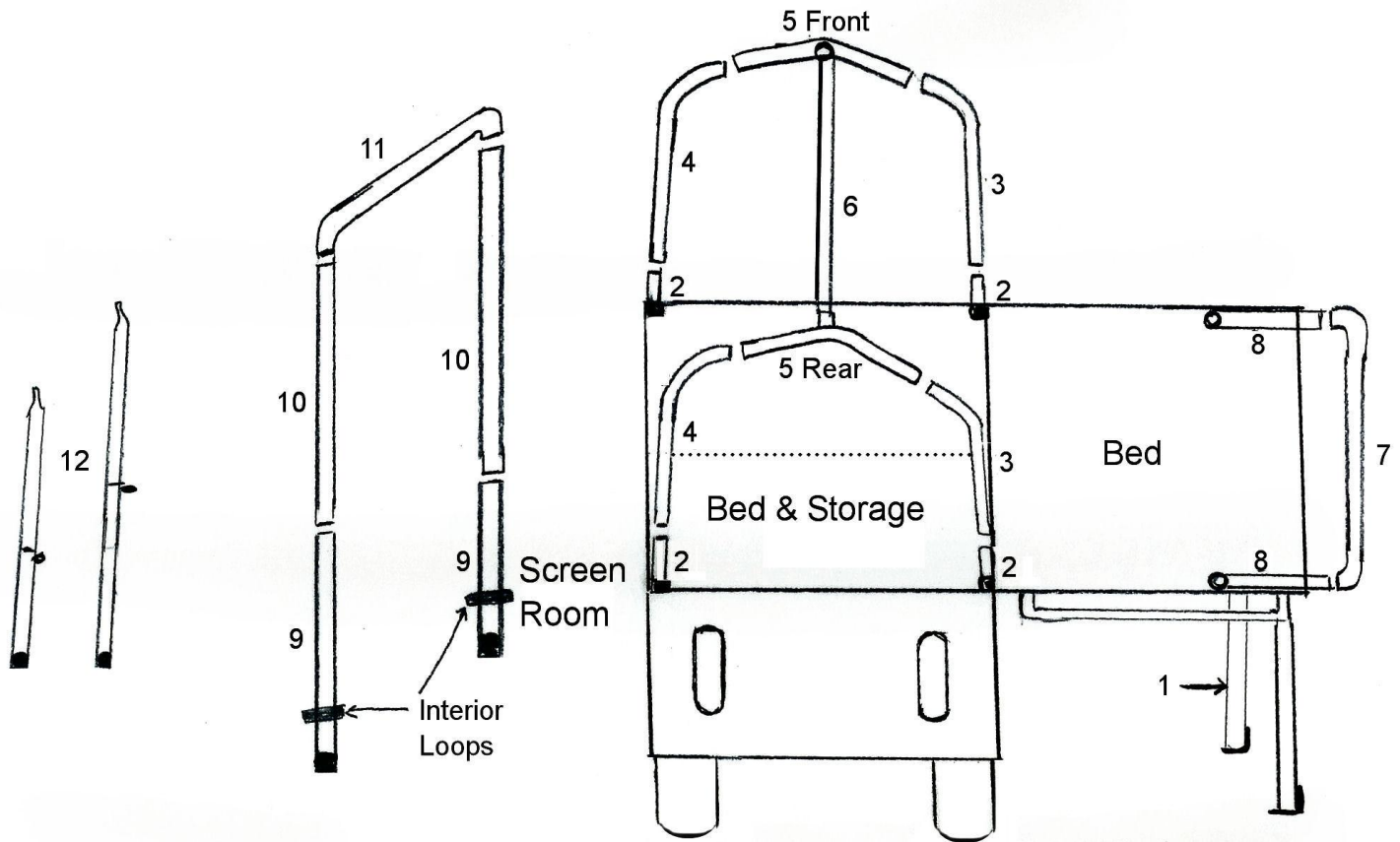
# Important Information

*Please read before setting up your camper*

- ✓ To prevent damage to your camper's hinges or lid **ALWAYS PUT DOWN THE ATTACHED LEG** (on luggage rack) before opening your camper.
- ✓ To avoid injury and to prevent your camper from tipping **ALWAYS PUT DOWN ALL 4 JACKS** before setting up and stepping into your camper.



# Camper set up



**Step 1:** After stabilizer jacks are folded down. Open trailer cover and fold down attached leg located on the luggage rack. Attach camper leg (1) to luggage rack, level and insert pin.

**Step 2:** Place poles marked (2) PVC end up in each corner of frame. Place poles marked (3) to lid side of camper. Place poles marked (4) to porch side of camper. Place poles marked (5 front) to tongue end and (5 rear) to back and place the pole (6) to the top center.

**Step 3:** Assemble poles (7) and (8) as shown in diagram and place in washer holes. Please note: they will not stand up until after you have the tent on and the Velcro tabs located by the window are velcroed to poles.

**Step 4:** Place tent on ground, put the screen room floor in place next to the side of the camper and pull over poles (2 through 6). Pull tent over the sides of the trailer and Velcro the tent to the trailer. Set canopy poles (12) and stake with provided ropes and stakes. Adjust to tighten tent, Assemble poles (9, 10 & 11) and place in screen room. Place (9) in to tent loops located on the bottom on the tent. Velcro tabs to (11) located on the top of the tent.

**Step 5:** Stake the corner of the screen room to ground on all 4 corners. Hook the 6 hooks on tent to hexagon spacers on luggage rack.